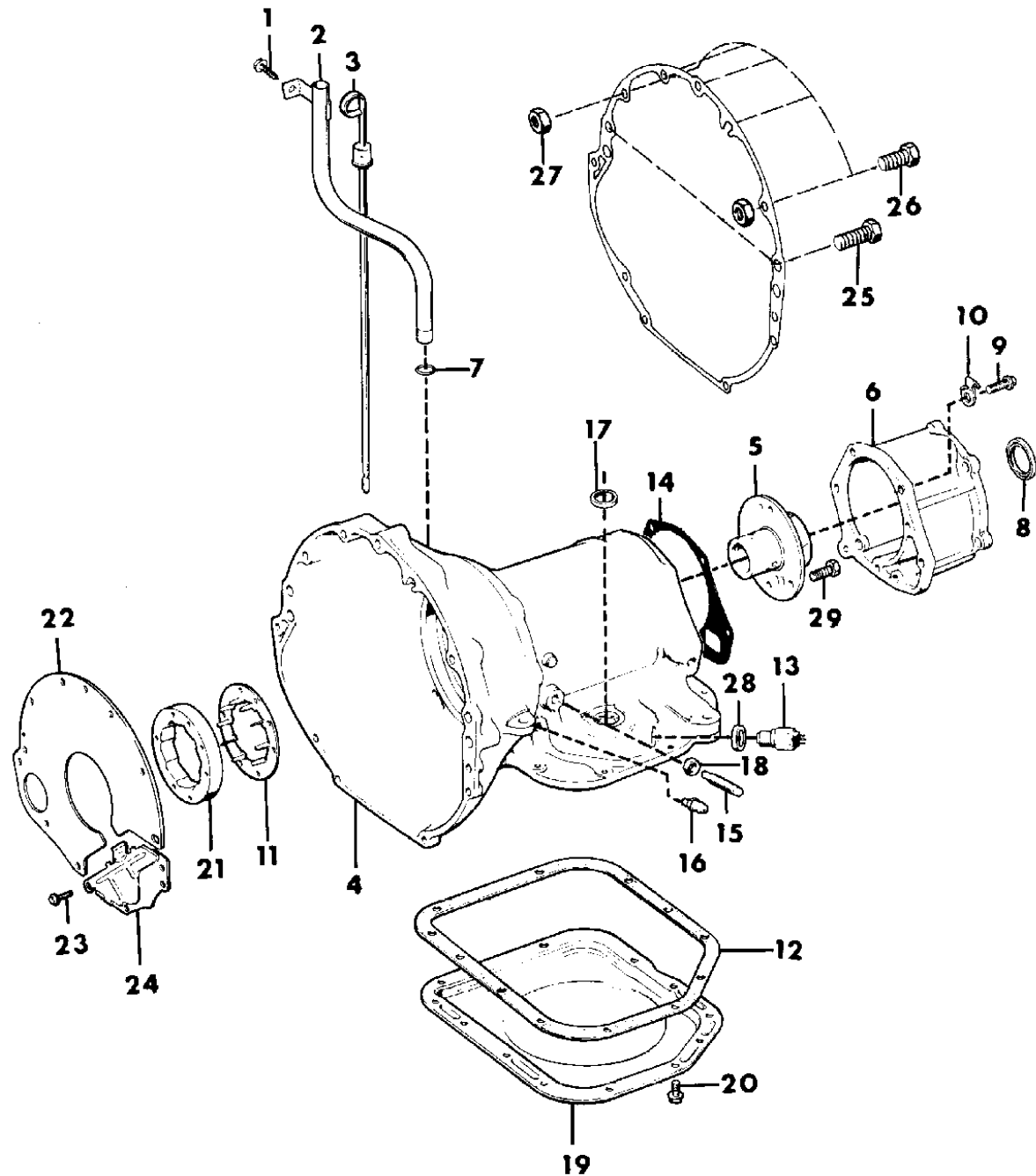


CASE, ADAPTER & MISCELLANEOUS PARTS AUTOMATIC TRANSMISSION - A727 GRAND WAGONEER

Figure 21A-1700

91J51 1700A



ITEM	PART NUMBER	QTY	BODY	MODEL	DESCRIPTION
1	J018 0132	1			BOLT
2	J536 1276	1			TUBE, Oil Indicator
3	J536 3757	1			INDICATOR, Oil Level
4	4505 117	1			CASE, Transmission, Use w/4531025 Trans.
	4531 220	1			w/53007778 Trans.
	3681 601	1			MAGNET, Case Chip Collector
5	4505 118	1			SUPPORT, Output Shaft
6	4505 240	1			ADAPTER, Trans. to T/Case
7	J321 2885	1			SEAL, Oil Filler Tube
8	4269 956	1			SEAL, Adapter
9	6030 849	6			BOLT, 3/8-16 x 1-3/8"
10	J812 1160	1			CLIP
11	2801 426	1			RETAINER, "O" Running Clutch Spring
12	2464 324	1			GASKET, Pan
13	4057 750	1			SWITCH, Neutral Starter and Back-Up Light Safety
14	2466 954	1			GASKET, Adapter
15	2400 389	1			SCREW, Band Adjusting
16	6033 970	1			CONNECTOR, Oil Cooler Tube, Trans. End, 1/4-18 Pipe Thread
17	4505 098	1			SEAL
18		1			NUT, Adjusting Screw, (Not Serviced)
19	4531 198	1			PAN, Transmission Oil
20	6023 355	14			SCREW, Trans. Oil Pan, 5/16-18 x 5/8"
21	1942 095	1			CAM, "O" Running Clutch (w/12 Cam Lobes), Use w/4531025 Trans.
	4471 473	1			(w/14 Cam Lobes), w/53007778 Trans.
	0125 735	1			SET SCREW, O/Running Clutch Cam, 1/4-20 x 3/8"
22	J321 3743	1			SPACER
23	J400 0987	2			BOLT, Hex Hd w/Washer, 5/16-18 x 5/8"
24	J321 3744	1			COVER
25	J400 4370	AR			BOLT, 7/16-14 x 2-3/4"
26	J400 1885	AR			BOLT, 3/8-16 x 2-1/8"
27	J021 9422	1			NUT, 3/8-16
28	2408 143	1			SEAL
29	0179 818	4			SCREW, Output Shaft Support, 5/16-18 x 1"

MODEL CODES:

61=Pickup-6 Ft Box 74=4 Door Wagon T=2WD
 62=Pickup-7 Ft Box 77=Open Body 93" Wheelbase J,N,U=4WD
 72=2 Door Wagon 78=Open Body 103" Wheelbase

BODY STYLES:

MJ=Comanche Pickup ZJ=Grand Cherokee/Grand Wagoneer KDX VEHICLES
 SJ=Grand Wagoneer M1=Comanche
 XJ=Cherokee, Briarwood X1=Cherokee, Briarwood
 YJ=Wrangler Y1=Wrangler

AR = Use as Required - = Non Illustrated Part P.A.R. = Paint as Required