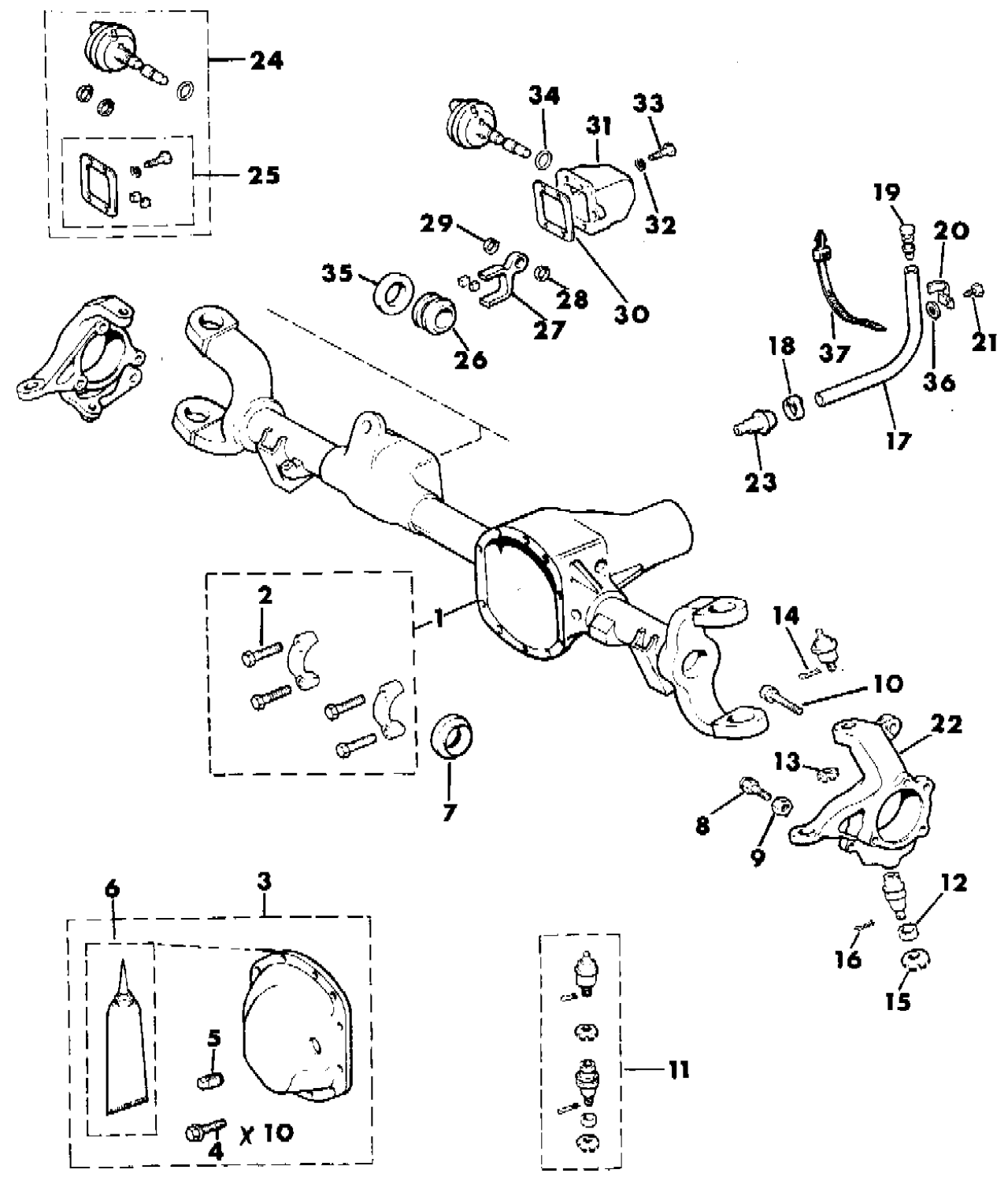


HOUSING, FRONT AXLE W/DISCONNECT WRANGLER, YJ

Figure 2-1000

8J02 1000

ITEM	PART NUMBER	QTY	BODY	MODEL	DESCRIPTION
30	J813 3709	1			GASKET, Cover
31	8350 0195	1			COVER, Axle Shift
32	J813 3624	4			WASHER
33	J813 3623	4			BOLT
34	J813 3620	1			O-RING
35					SEAL, Rt.
	8350 0199	1			2.290"
	8350 3504	1			2.125"
36	J400 3084	1			NUT, Push
37	3420 1788	2			STRAP



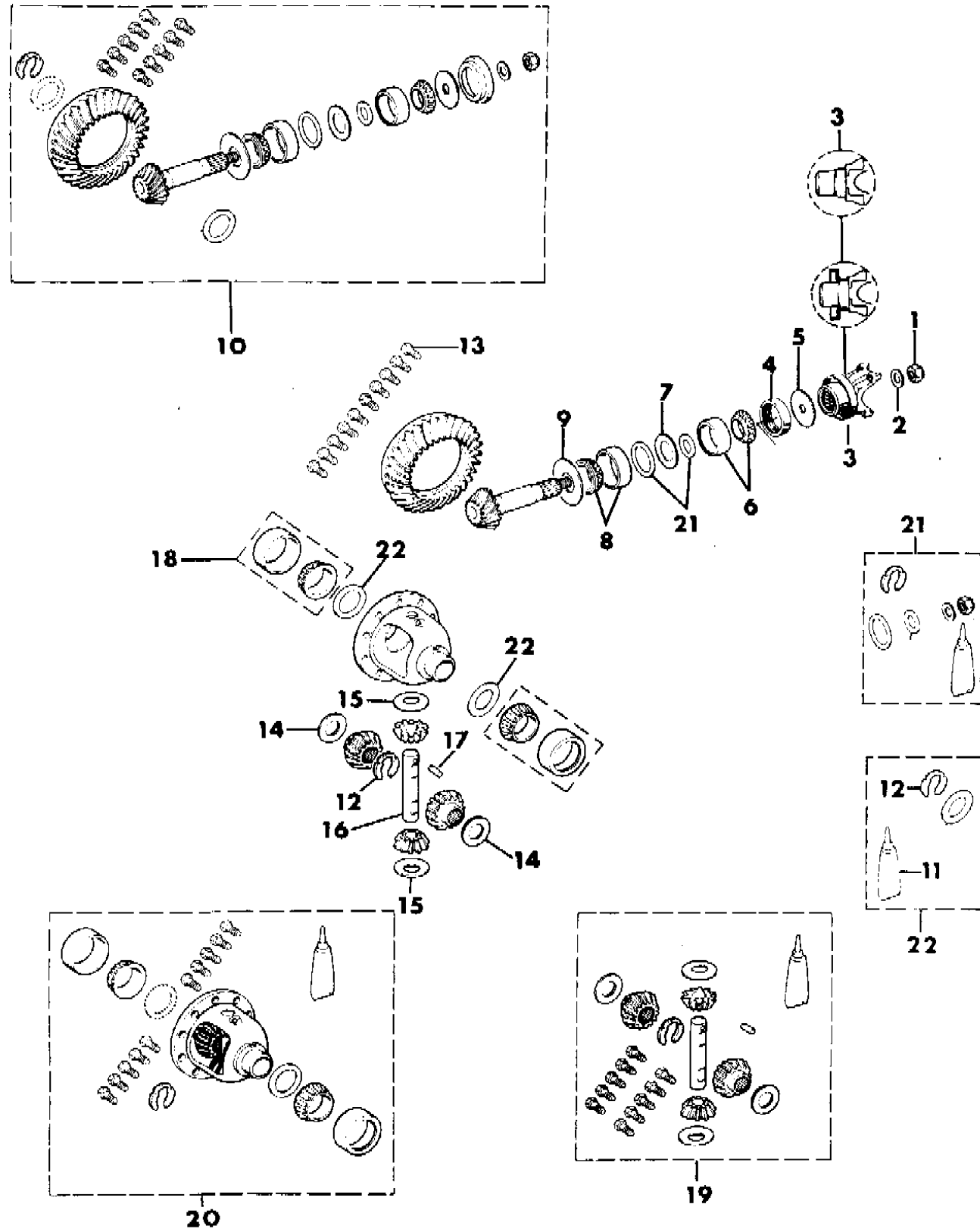
- MODEL CODES:
- | | | |
|-----------------------------|-----------------------------|------------------------------|
| 15 = Grand Wagoneer 4 Dr. | 65 = Comanche 4WD-7 Ft. Box | 77 = Cherokee 4WD-2 Dr. |
| 25 = J-10 Pickup-119" W.B. | 66 = Comanche 2WD-7 Ft. Box | 78 = Cherokee 4WD-4 Dr. |
| 26 = J-10 Pickup-131" W.B. | 73 = Cherokee 2WD-2 Dr. | 79 = Cherokee 4WD-4 Dr.-Com |
| 27 = J-20 Pickup-131" W.B. | 74 = Cherokee 2WD-4 Dr. | 81 = Wrangler-93" W.B. |
| 63 = Comanche 4WD-6 Ft. Box | 75 = Wagoneer 4WD-4 Dr. | 82 = Wrangler-103" W.B.-Exp. |
| 64 = Comanche 2WD-6 Ft. Box | | |

- BODY STYLES:
- MJ = Comanche Pickup
 - SJ = Grand Wagoneer Wgn., J-10 & J-20 Pickups
 - XJ = Cherokee, Wagoneer Limited
 - YJ = Wrangler

AR = Use as Required - = Non Illustrated Part P.A.R. = Paint as Required

DIFFERENTIAL, FRONT AXLE WRANGLER, YJ
Figure 2-1100

8J02 1100



ITEM	PART NUMBER	QTY	BODY	MODEL	DESCRIPTION
1	J080 1367	1			NUT, Pinion
2	J063 6570	1			WASHER, Pinion
3	J813 3241	1			YOKE, Pinion w/o Slinger
4	8350 3388	1			w/Slinger
5	J099 8092	1			SEAL, Pinion w/o Slinger
6	8350 3390	1			w/Slinger
7	J063 6566	1			SLINGER, Dust
8	J812 4052	1			BEARING PACKAGE
9	J093 4937	1			BAFFLE
10	J812 6499	1			BEARING PACKAGE
11	J091 6372	1			SLINGER, Oil
12	8350 0187	1			GEAR SET, Front Axle Ring And Pinion
13	8350 2355	1			3.07 Ratio
14	8350 2355	1			3.54 Ratio
15	8350 5480	1			3.55 Ratio
16	8350 2353	1			4.10 Ratio
17	J899 3317	1			SEALER, RTV
18	J813 0763	1			SNAP RING
19	J064 9454	10			BOLT
20	J813 3724	2			WASHER
21	J812 0831	2			WASHER
22	J094 6384	1			SHAFT, Differential
23	J063 6360	1			PIN
24	J812 6500	2			BEARING PACKAGE
25	J812 6500	2			GEAR SET, Front Axle Differential
26	8350 0190	1			1987-89
27	5252 591	1			1990
28	8350 0168	1			CASE, Front Axle Differential
29	8350 0169	1			1987-89
30	5252 582	1			3.07, 3.54 & 3.55 Ratios
31	5252 582	1			4.10 Ratio
32	5252 590	1			1990
33	5252 590	1			3.07 & 3.55 Ratios
34	8350 0192	1			4.10 Ratio
35	8350 0191	1			SHIM PACKAGE
36	8350 0191	1			SHIM PACKAGE

MODEL CODES:

15 = Grand Wagoneer 4 Dr.	65 = Comanche 4WD-7 Ft. Box	77 = Cherokee 4WD-2 Dr.
25 = J-10 Pickup-119" W.B.	66 = Comanche 2WD-7 Ft. Box	78 = Cherokee 4WD-4 Dr.
26 = J-10 Pickup-131" W.B.	73 = Cherokee 2WD-2 Dr.	79 = Cherokee 4WD-4 Dr.-Com
27 = J-20 Pickup-131" W.B.	74 = Cherokee 2WD-4 Dr.	81 = Wrangler-93" W.B.
63 = Comanche 4WD-6 Ft. Box	75 = Wagoneer 4WD-4 Dr.	82 = Wrangler-103" W.B.-Exp.
64 = Comanche 2WD-6 Ft. Box		

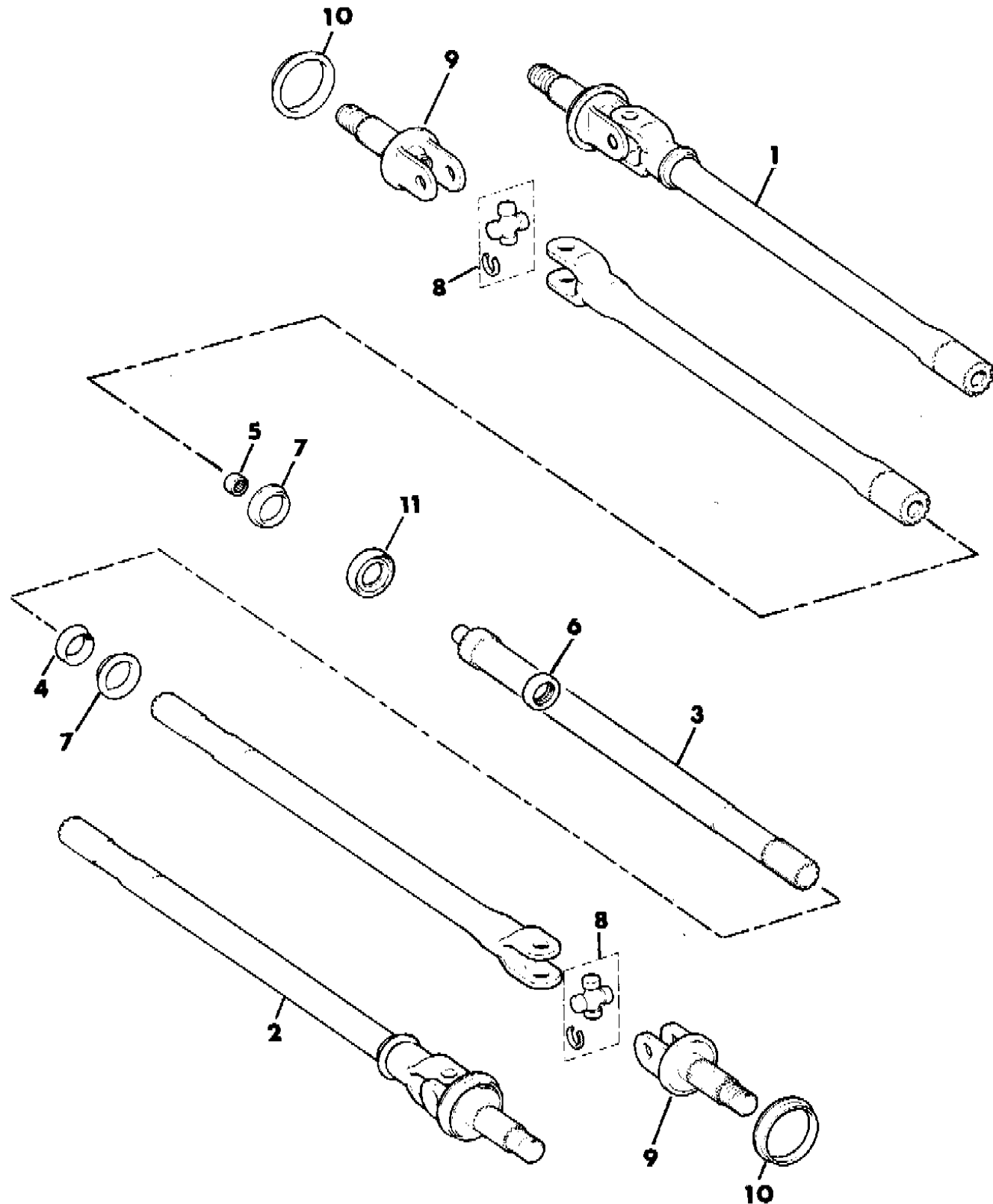
BODY STYLES:

MJ = Comanche Pickup
 SJ = Grand Wagoneer Wgn., J-10 & J-20 Pickups
 XJ = Cherokee, Wagoneer Limited
 YJ = Wrangler

AR = Use as Required - = Non Illustrated Part P.A.R. = Paint as Required

SHAFTS, FRONT AXLE W/DISCONNECT WRANGLER, YJ
Figure 2-1300

8J02 1300



ITEM	PART NUMBER	QTY	BODY	MODEL	DESCRIPTION
1					SHAFT ASSEMBLY, Axle Rt.
	5300 0224	1			1987-89
	5252 972	1			1990
2					SHAFT ASSEMBLY, Axle Lt.
	5300 0684	1			1987/89
	5252 585	1			1990
3					SHAFT, Intermediate
	8350 0198	1			1987-89
	5252 594	1			1990
4	J812 1781	1			SEAL
5	4137 737	1			BEARING, 1987-89
	5252 686	1			1990
6	J813 3622	1			BEARING, 1987-89
	5252 687	1			BUSHING, 1990
7					SLINGER, Oil
	J812 6232	2			1987-89
	8350 7105	2			1990
8	J812 6637	2			JOINT, Universal
9	8350 0184	2			SHAFT, Outer
10	8350 0201	2			SLINGER, Dust 1987-89, (N/A w/1990)
11					SEAL
	8350 0199	1			O.D. = 2.29"
	8350 3504	1			O.D. = 2.12"

MODEL CODES:

15 = Grand Wagoneer 4 Dr.	65 = Comanche 4WD-7 Ft. Box	77 = Cherokee 4WD-2 Dr.
25 = J-10 Pickup-119" W.B.	66 = Comanche 2WD-7 Ft. Box	78 = Cherokee 4WD-4 Dr.
26 = J-10 Pickup-131" W.B.	73 = Cherokee 2WD-2 Dr.	79 = Cherokee 4WD-4 Dr.-Com
27 = J-20 Pickup-131" W.B.	74 = Cherokee 2WD-4 Dr.	81 = Wrangler-93" W.B.
63 = Comanche 4WD-6 Ft. Box	75 = Wagoneer 4WD-4 Dr.	82 = Wrangler-103" W.B.-Exp.
64 = Comanche 2WD-6 Ft. Box		

BODY STYLES:

MJ = Comanche Pickup
SJ = Grand Wagoneer Wgn., J-10 & J-20 Pickups
XJ = Cherokee, Wagoneer Limited
YJ = Wrangler

AR = Use as Required - = Non Illustrated Part P.A.R. = Paint as Required